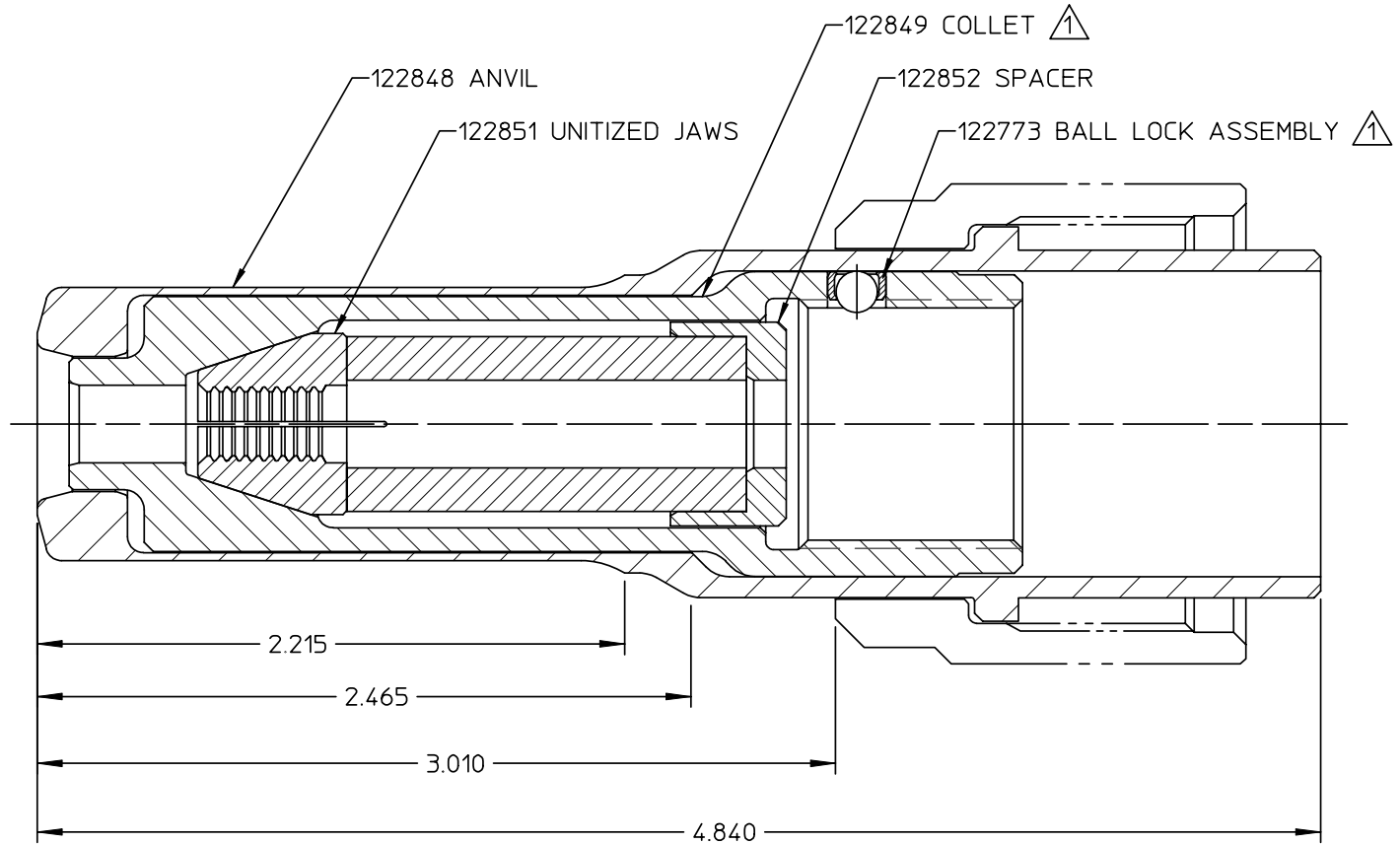
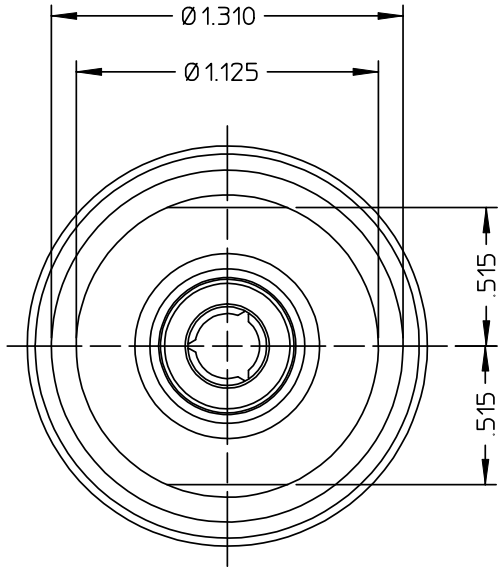


DATA SHEET



Alcoa Fastening Systems

Commercial Products
 1 Corporate Drive, Kingston, NY 12401

99-3122	Part Number	TYPE:	NON-SELF-RELEASING
		FASTENER:	-12 BOM
		TOOL(S):	2600
		Notes:	Product Revision: B
		US Patent:	Date: 07/09/03

NOTES:

$\triangle 1$ COLLET AND LOCK ASSEMBLY P/N 122850 CONSISTS OF:
 COLLET P/N 122849
 BALL LOCK ASSEMBLY P/N 122773
 NOT AVAILABLE SEPARATELY.

2 STEEL DEFLECTOR: 123634-2600 IS OPTIONALLY AVAILABLE.