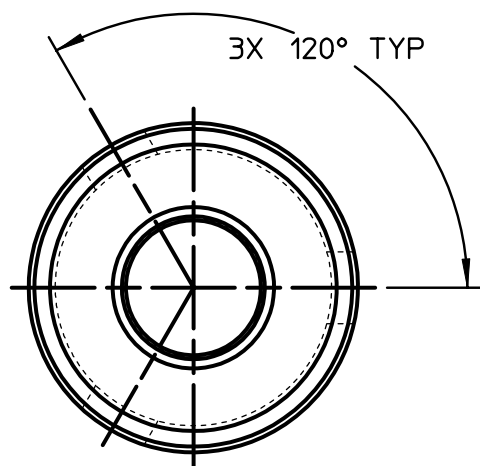
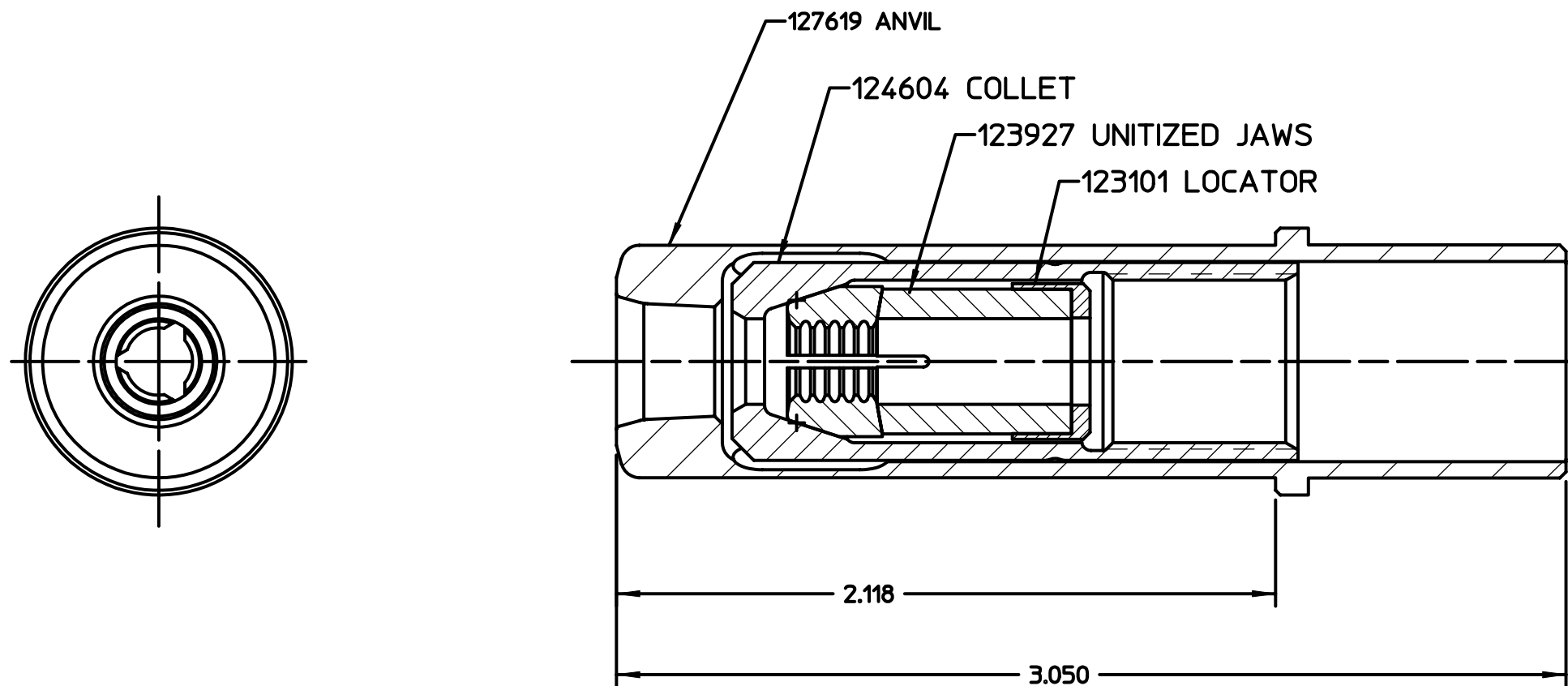
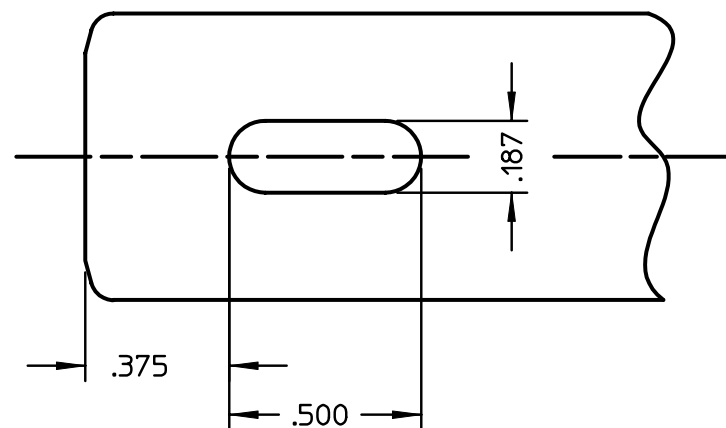


REV	DESCRIPTION	DATE
A	RELEASE	03/16/05



VIEW SHOWING LOCATION OF 3 SLOTS



FORM: KE104 REV C		By accepting this proprietary Huck drawing, recipient agrees not to reproduce or disclose any part thereof to any others without the written permission of Huck International, Inc.		
MATERIAL:	-	SPEC:	TOLERANCES UNLESS OTHERWISE SPECIFIED: (ALL DIMENSIONS ARE IN INCHES)	HUCK INTERNATIONAL, INC., I.S.D. 1 CORPORATE DRIVE, P.O. BOX 2270 KINGSTON, NEW YORK 12401
HARDNESS:	-	(RAW OR STOCKED STATE)		
HEAT TREAT TO:	-	SPEC:	.XX, .XXX ±	NOSE ASSEMBLY -08 C6L
SURFACE TREAT:	-	SPEC:	INT. COR. RADII	
SURFACE FINISH NOT TO EXCEED: Ra		BREAK EDGES		DET: CHR. CK:
IDENTIFICATION PER SPEC 42-311: ★ ETCH		ANGLES ±		DATE: 03/16/05 SCALE: 2/1
SURFACES TO BE ○, //, ⚙, ⊥, & □ WITHIN T.J.R.		FINAL ASSY:		FAC. B 99-3009L