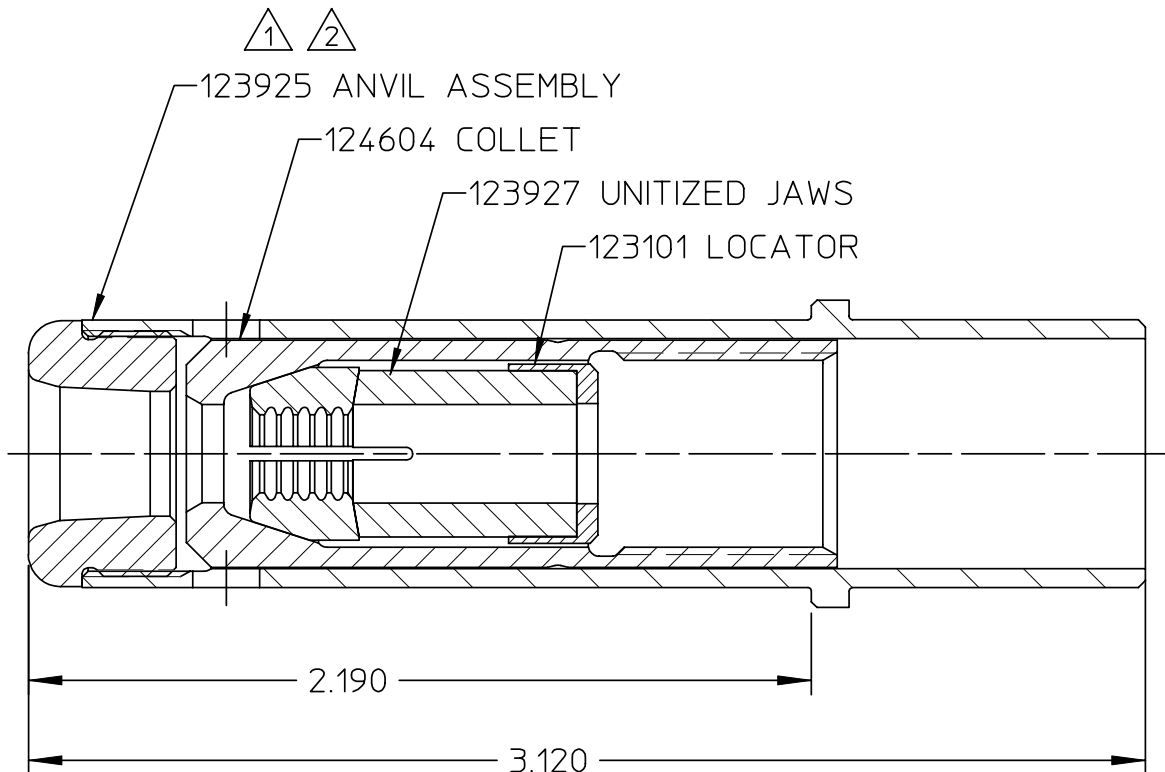
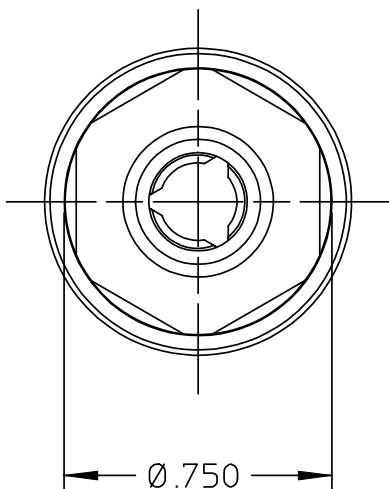


DATA SHEET



Alcoa Fastening Systems

Commercial Products
1 Corporate Drive, Kingston, NY 12401

TYPE:	NON-SELF-RELEASING
FASTENER:	-08 C6L
TOOL(S):	202L, 212L, 2025L, 2480L, 2481L
Notes:	Product Revision: A
US Patent:	Date: 07/09/03

99-3006L

Part Number

NOTES:

- ① ANVIL ASSY 123925 CONSISTS OF:
(1) 120636-1 ANVIL HOLDER AND
(1) 123926 ANVIL INSERT
BOTH ARE AVAILABLE INDIVIDUALLY.
- ② ANVIL INSERT WRENCH 125400 IS
OPTIONALLY AVAILABLE.