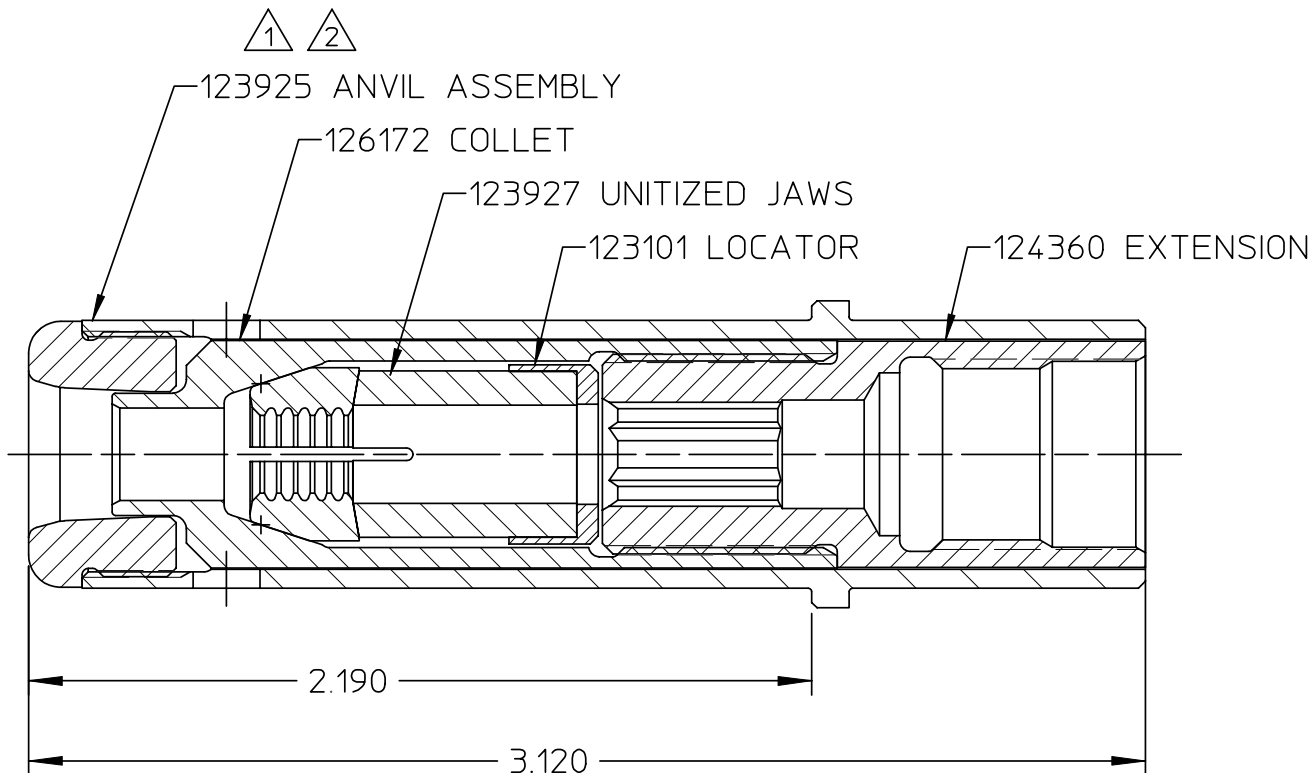
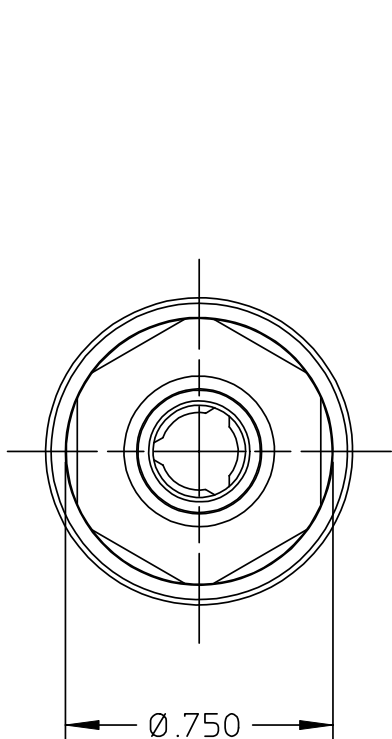


# DATA SHEET



NOTE: THIS NOSE ASSY IS TO BE USED WITH POSITIVE EJECTION TOOLS ONLY

**Alcoa Fastening Systems**

Commercial Products  
1 Corporate Drive, Kingston, NY 12401

99-3006-E

Part Number

TYPE:	NON-SELF-RELEASING	
FASTENER:	-08 C6L	
TOOL(S):	212 POS EJECT ONLY	
Notes:	Product Revision:	<b>A</b>
US Patent:	Date:	07/09/03

NOTES:

- 1 ANVIL ASSY 123925 CONSISTS OF:  
(1) 120636-1 ANVIL HOLDER AND  
(1) 123926 ANVIL INSERT  
BOTH ARE AVAILABLE INDIVIDUALLY.
- 2 ANVIL INSERT WRENCH 125400 IS  
OPTIONALLY AVAILABLE.