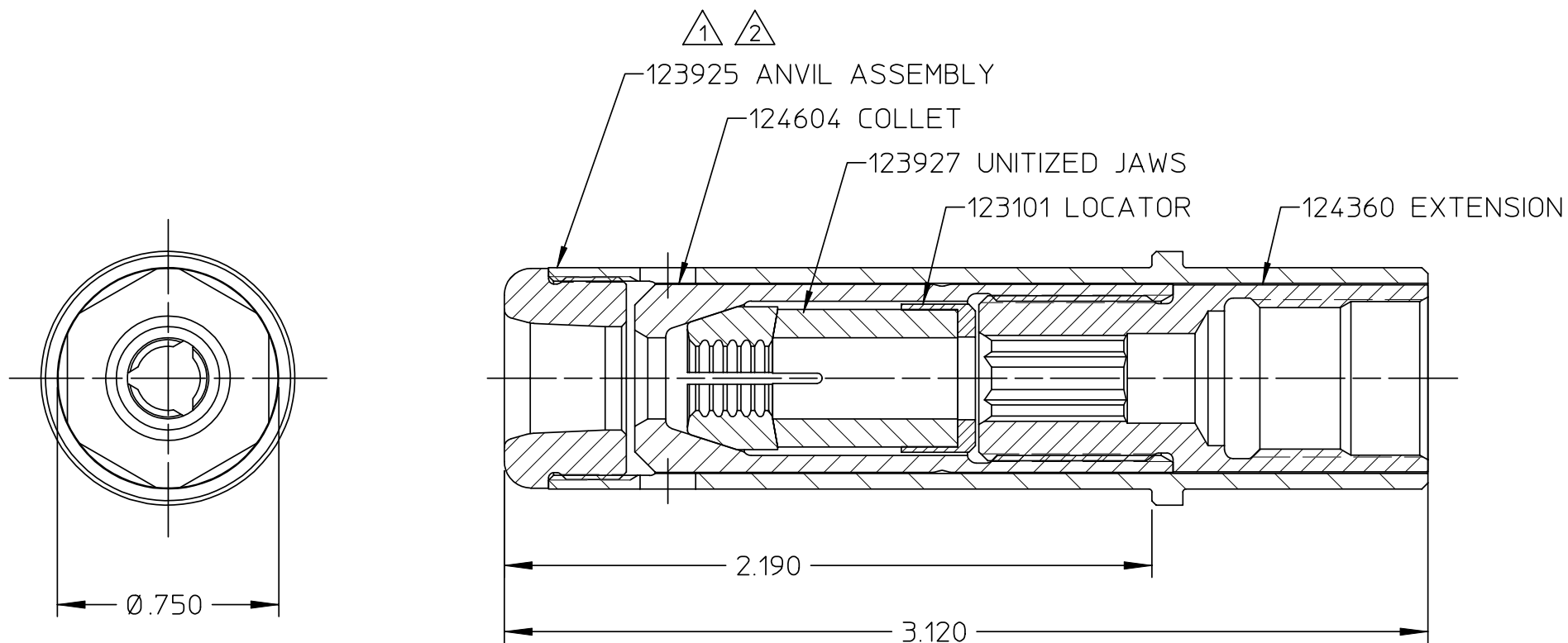


DATA SHEET



Alcoa Fastening Systems

Commercial Products
1 Corporate Drive, Kingston, NY 12401

NOSE TYPE: NON-SELF-RELEASING

FASTENER TYPE: -08 C6L

TOOL(S): 212, 230, 2400

Notes:

Product Revision: **D**

US Patent:

Date: 06/17/03

NOTES:

1 ANVIL ASSY 123925 CONSISTS OF:
(1) 120636-1 ANVIL HOLDER AND
(1) 123926 ANVIL INSERT
BOTH ARE AVAILABLE INDIVIDUALLY.

2 ANVIL INSERT WRENCH 125400 IS
OPTIONALLY AVAILABLE.

99-3006

Part Number