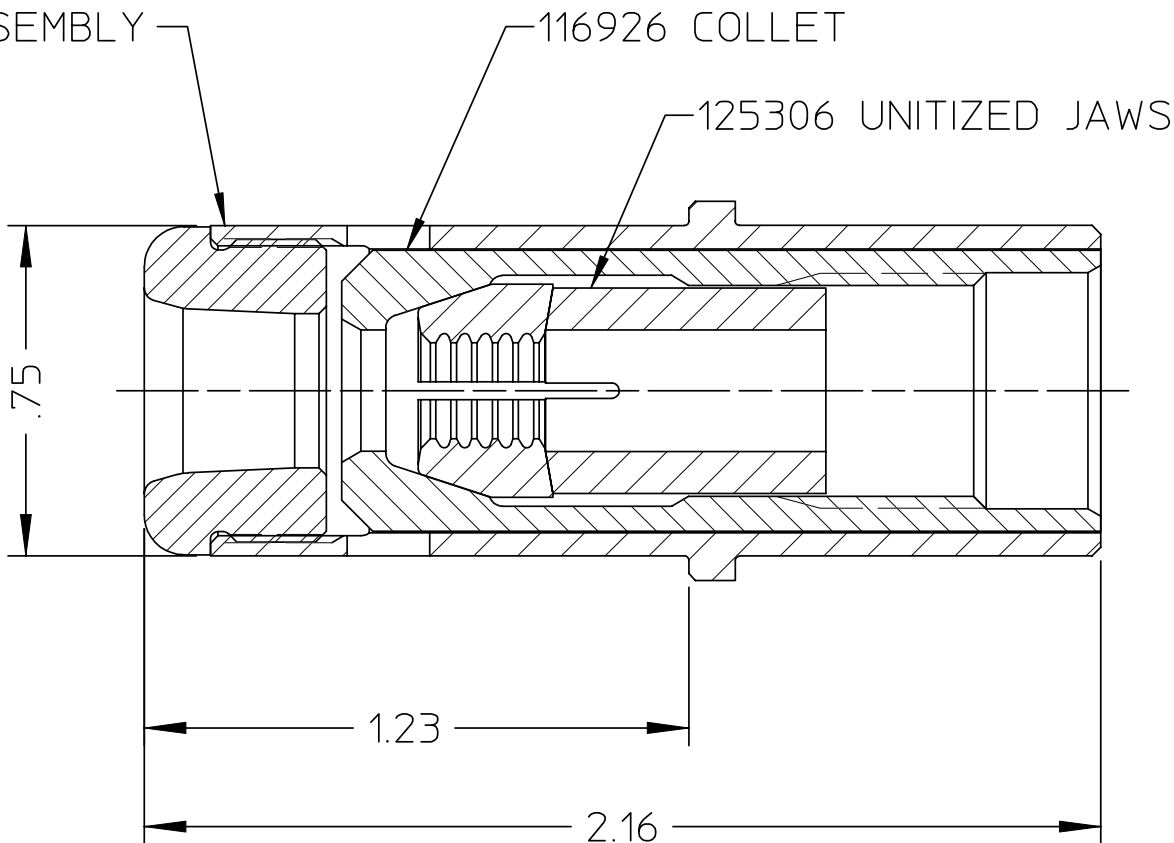
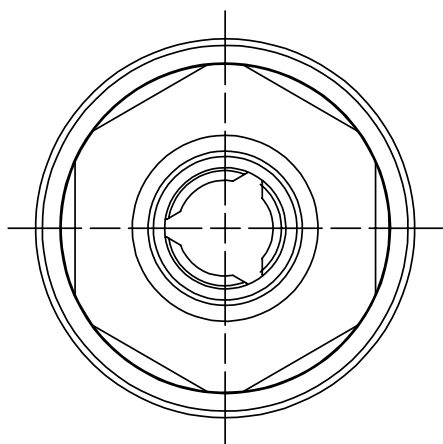


DATA SHEET

125295 ANVIL ASSEMBLY

△ 1 △ 2



NOTES:

△ 1. ANVIL ASSY 125295 CONSISTS OF:
(1) 125293 ANVIL HOLDER AND
(1) 123926 ANVIL INSERT
BOTH ARE AVAILABLE INDIVIDUALLY.

△ 2. ANVIL INSERT WRENCH 125400 IS
OPTIONALLY AVAILABLE.

Alcoa Fastening Systems

Commercial Products
1 Corporate Drive, Kingston, NY 12401

TYPE: NON-SELF-RELEASING

FASTENER: -08 C6L

TOOL(S): 212, 230, 2480

Notes:

Product
Revision: **A**

US Patent:

Date: 07/09/03

99-3005

Part Number