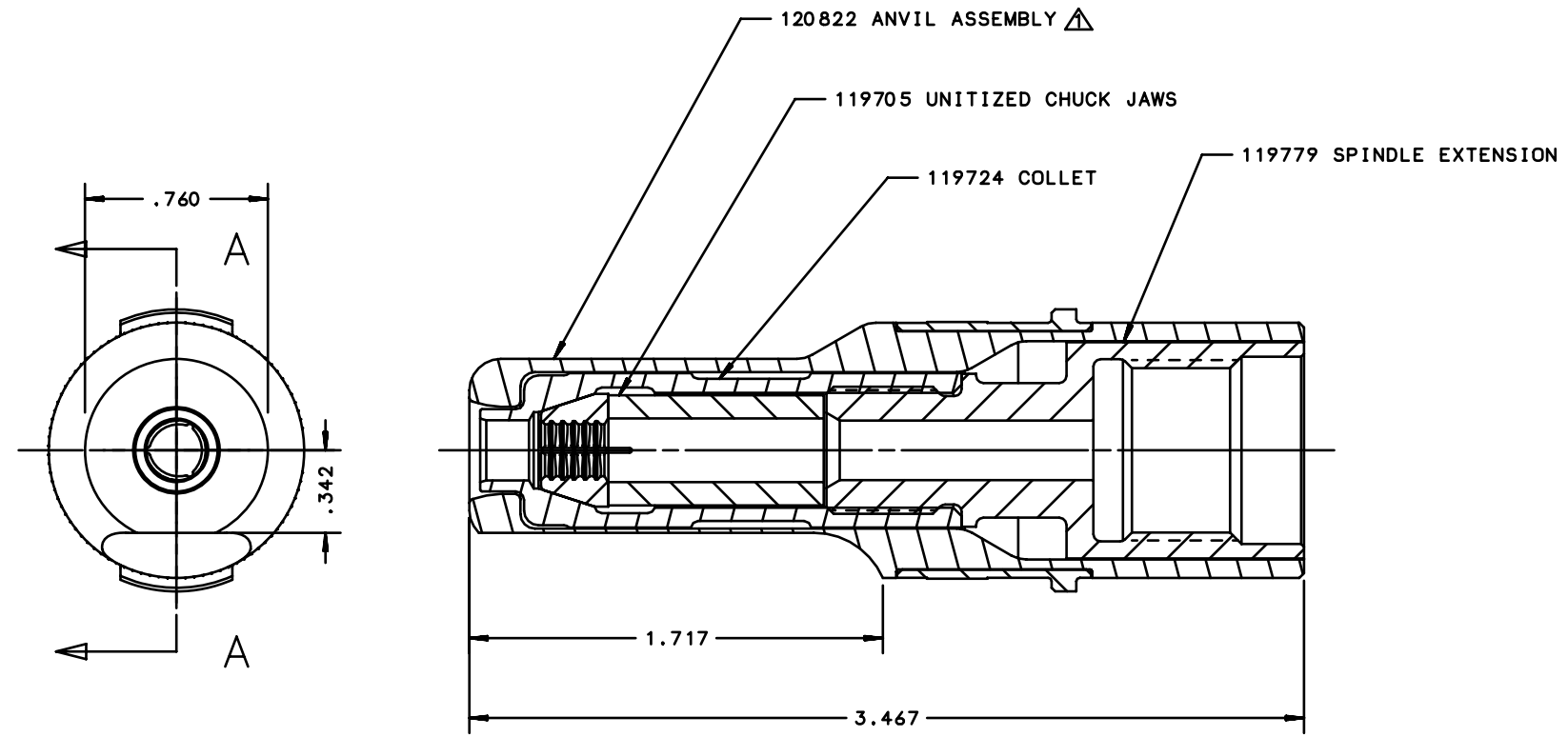


| REV | DESCRIPTION | DATE |
|-----|---------------|----------|
| C | MODELED IN UG | 08-01-05 |



SECTION A-A

NOTES:

△ ANVIL ASSEMBLY P/N 120822 CONSISTS OF:
 ANVIL P/N 120818 AND
 RETAINER P/N 120737
 NOT AVAILABLE SEPARATELY

| | | | |
|--|-----|---------|----------|
| HUCK INTERNATIONAL, INC., I.S.D. 1 CORPORATE DR., P.O. BOX 2270 KINGSTON, NEW YORK 12401 | | | |
| NON-SELF-RELEASING -08 GP/H-100 | | | |
| DESIGNER | CPL | DATE | 06-13-03 |
| SCALE | 2:1 | | |
| FOC. | B | 99-2564 | |
| FAC. | | | |