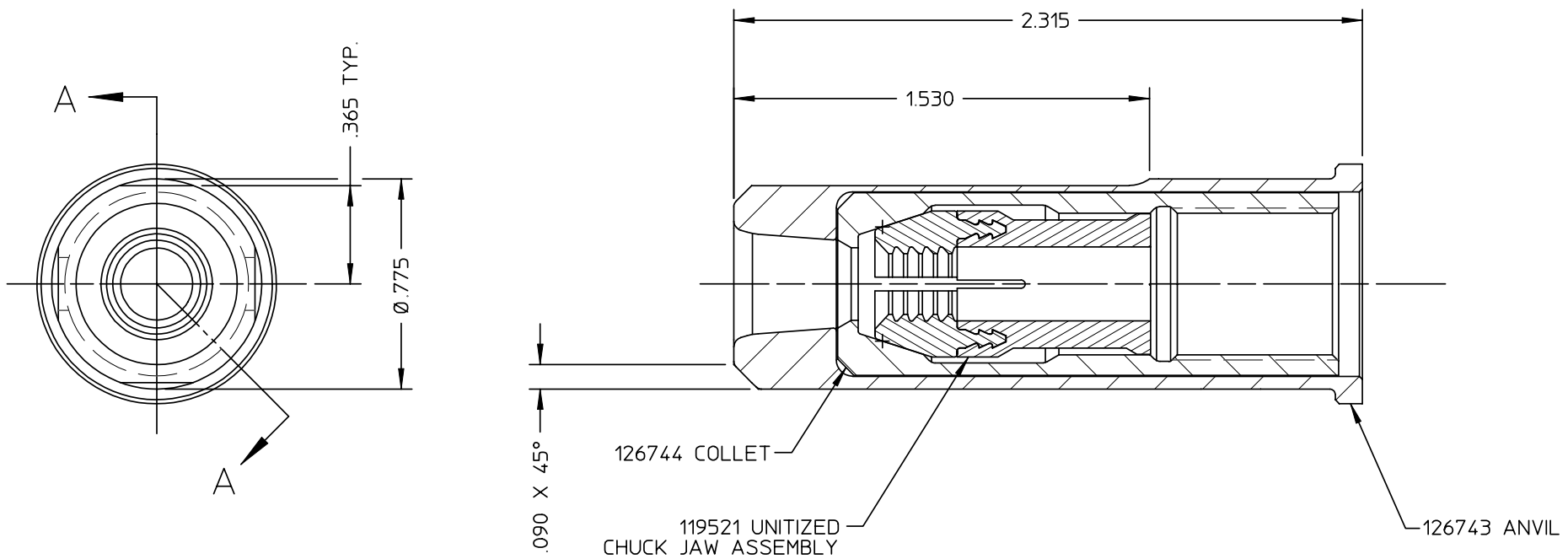


# DATA SHEET



**Alcoa Fastening Systems**

Commercial Products  
1 Corporate Drive, Kingston, NY 12401

NOSE TYPE: NON-SELF-RELEASING

FASTENER TYPE: -08 MG

TOOL(S): 2025L, ETC.

Notes:

Product Revision: **A**

US Patent:

Date: 06/09/03

99-1477UKL

Part Number