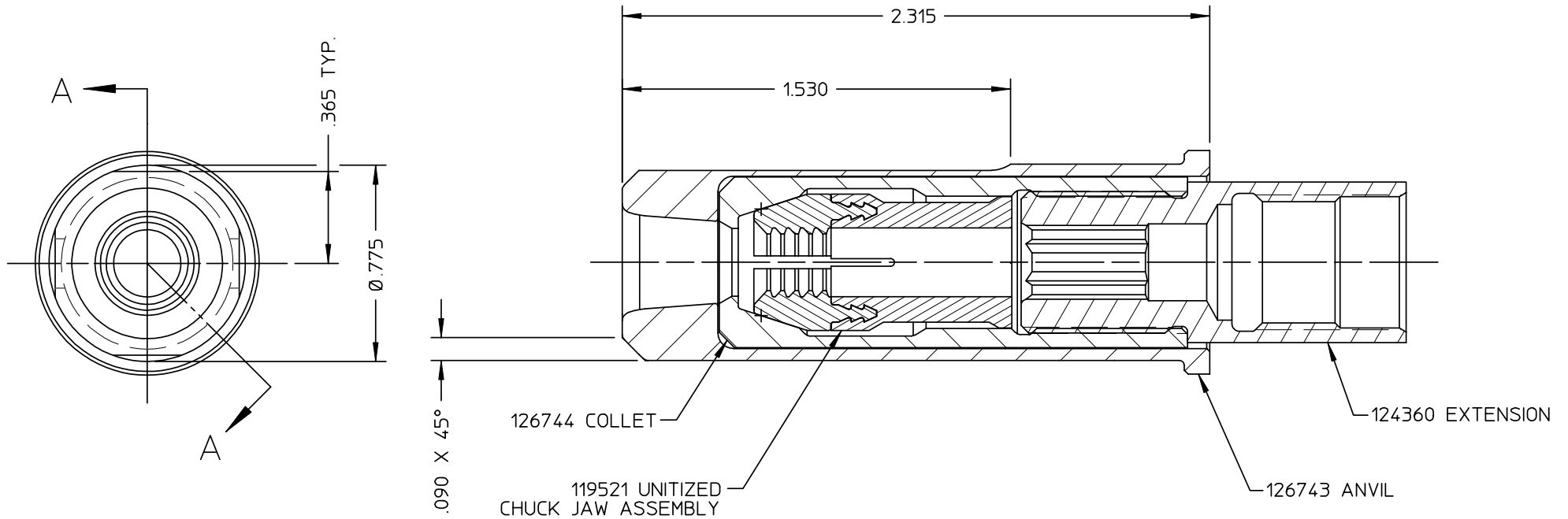


DATA SHEET



Alcoa Fastening Systems

Commercial Products
1 Corporate Drive, Kingston, NY 12401

NOSE TYPE: NON-SELF-RELEASING

FASTENER TYPE: -08 MG

TOOL(S): 2025, ETC.

Notes:

Product Revision: **A**

US Patent:

Date: 06/16/03

99-1477UK

Part Number