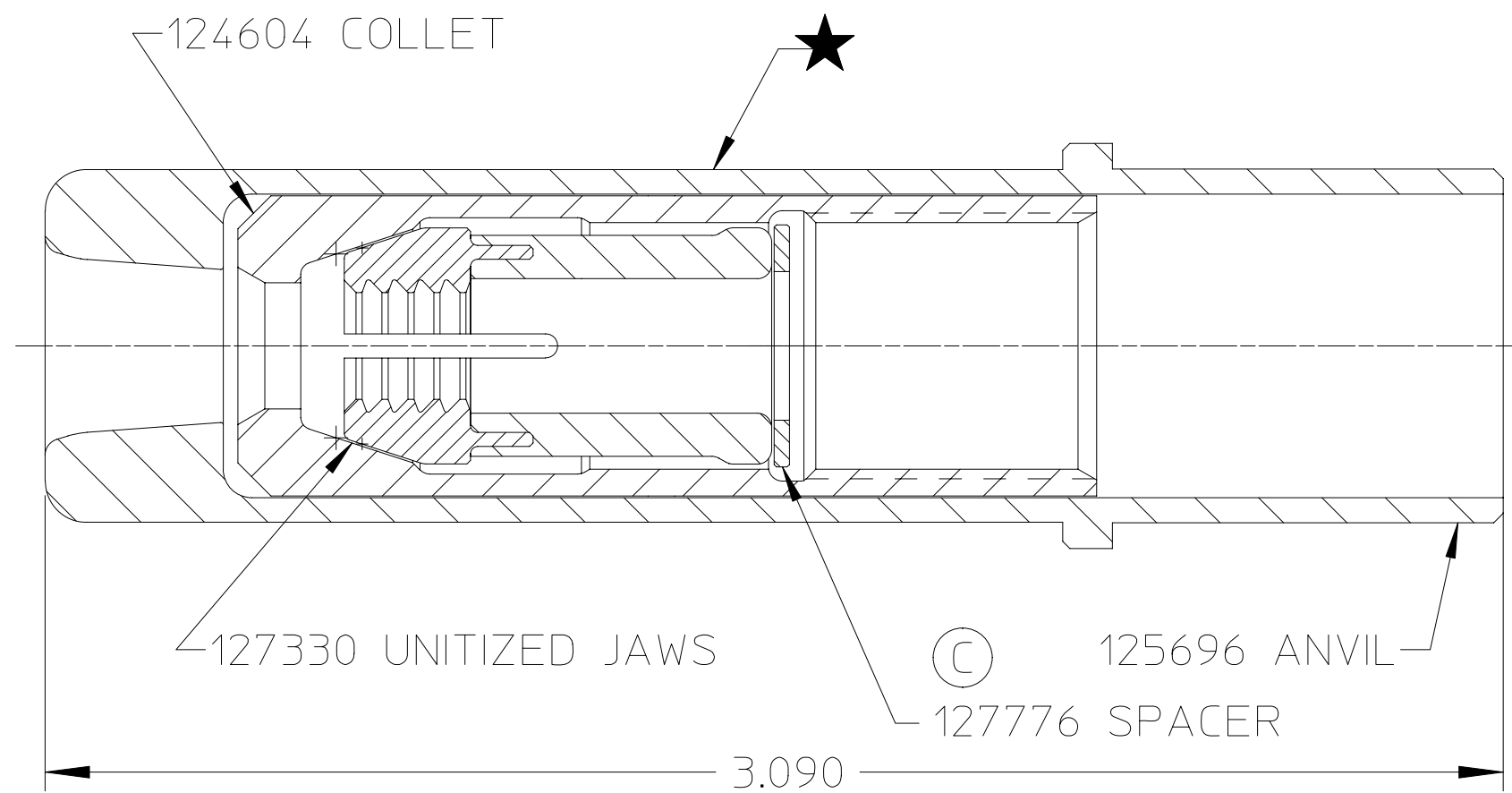
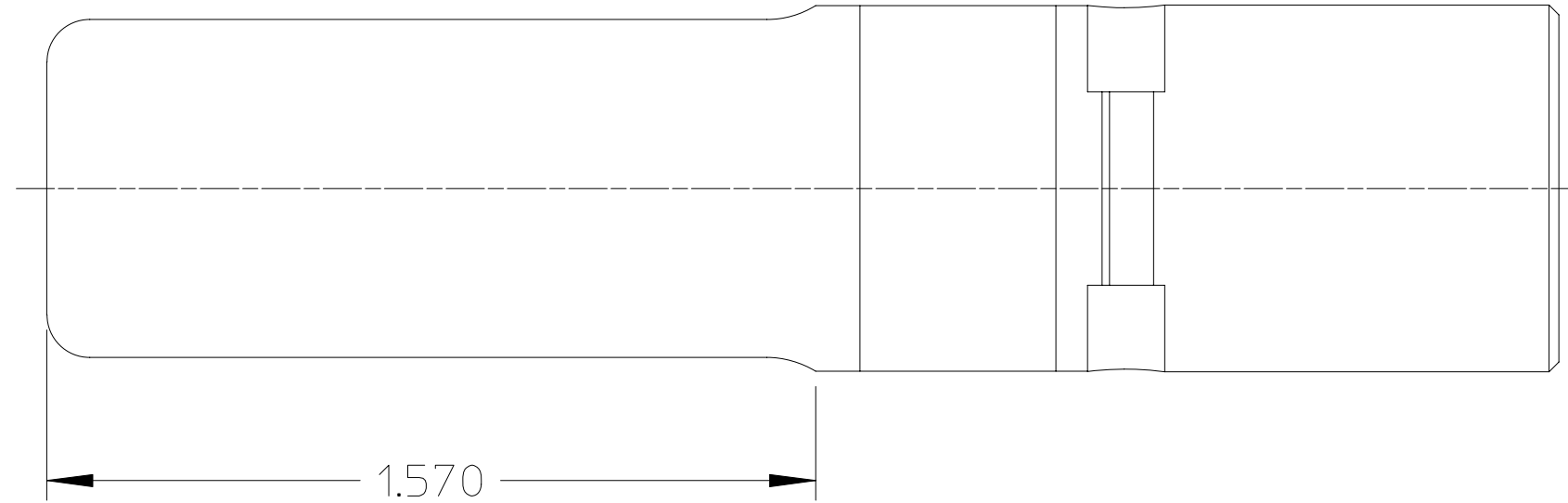
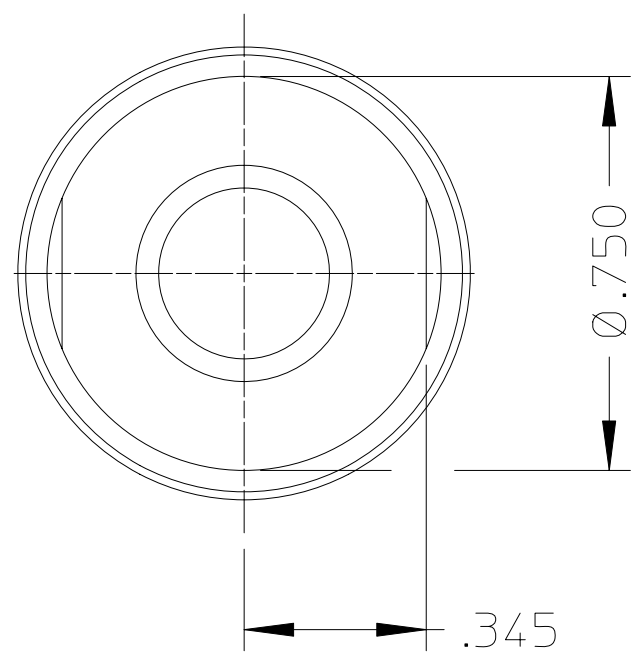


REV	DESCRIPTION	DATE
C	ADDED 127776 SPACER	05/03/05

NOTES:

- 1 SHIP WITH O-RING P/N 500778.
- 2 BEFORE ATTACHING NOSE ASSEMBLY TO TOOL, INSTALL SUPPLIED O-RING ON TO THREAD RELIEF OF PULL PISTON.



IDENTIFICATION PER SPEC 42-311: ★ ETCH			
HUCK INTERNATIONAL, INC., I.S.D. 1 CORPORATE DRIVE, P.O. BOX 2270 KINGSTON, NEW YORK 12401			
NOSE ASSEMBLY -08 MG			
DET: CHR	CK: -	DATE: 05/03/05	SCALE: 2/1
FOC.	B	99-1458L	
FAC.			