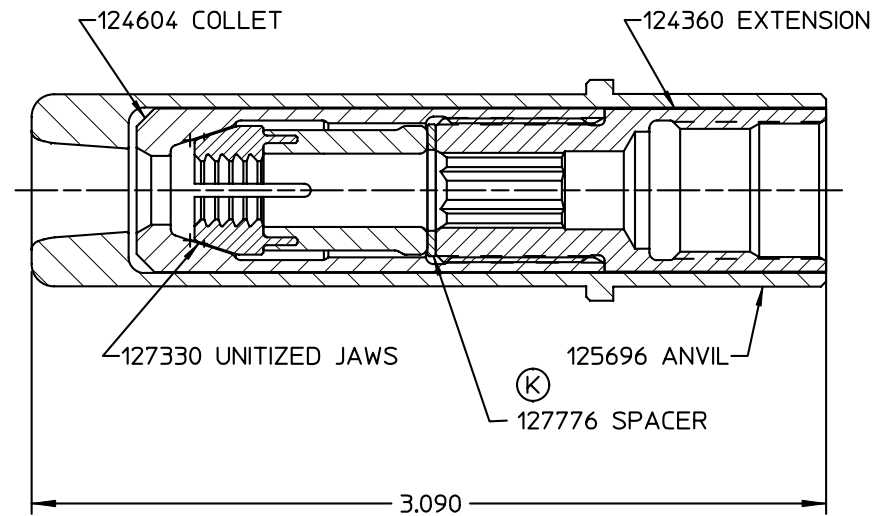
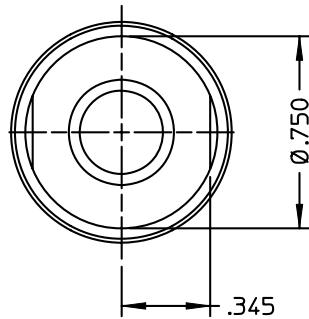
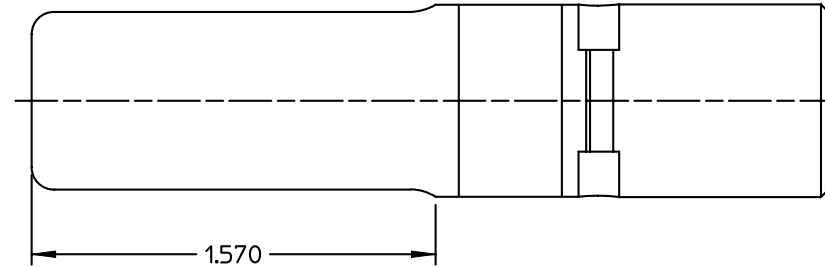


REV	DESCRIPTION	DATE
K	ADDED 127776 SPACER	05/03/05

NOTES:

- SHIP WITH O-RING P/N 500778.
- BEFORE ATTACHING NOSE ASSEMBLY TO TOOL, INSTALL SUPPLIED O-RING ON TO THREAD RELIEF OF PULL PISTON.



HUCK INTERNATIONAL, INC., I.S.D.
1 CORPORATE DRIVE
KINGSTON, NEW YORK 12401

NOSE ASSEMBLY
-08 MG

DET: CHR.	CK:	DATE: 05/03/05	SCALE: 2/1
FOC.	B	99-1458	
FAC.			