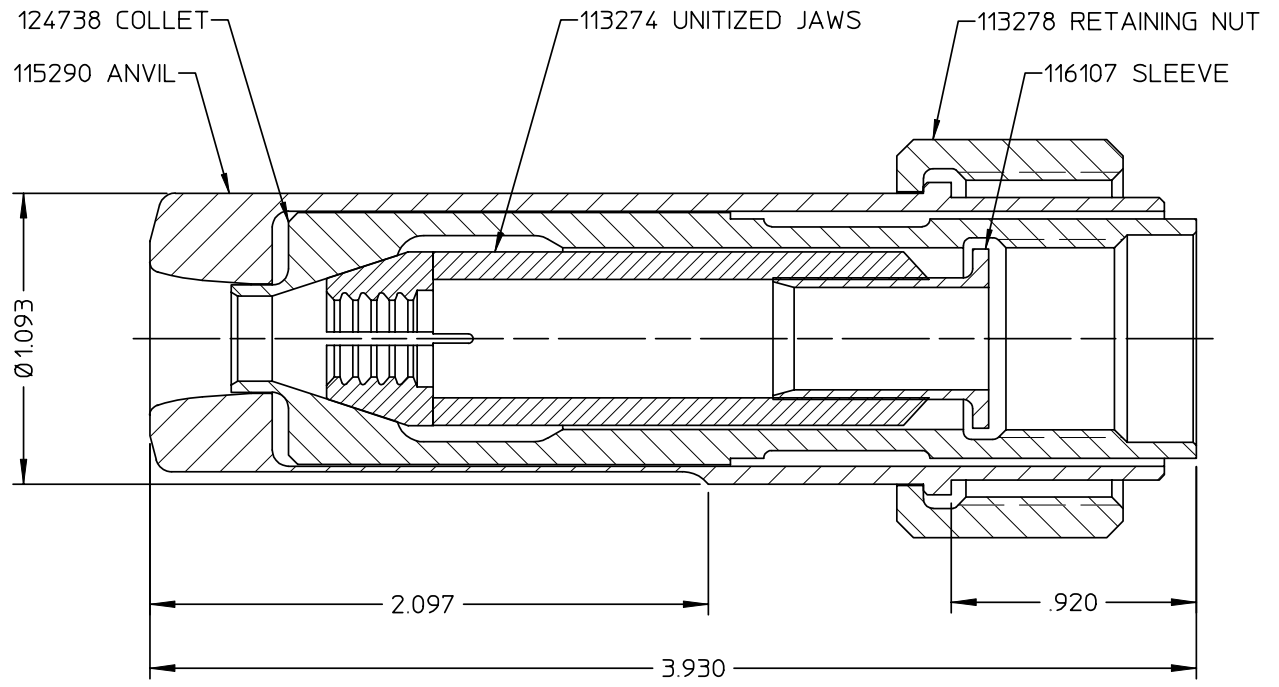
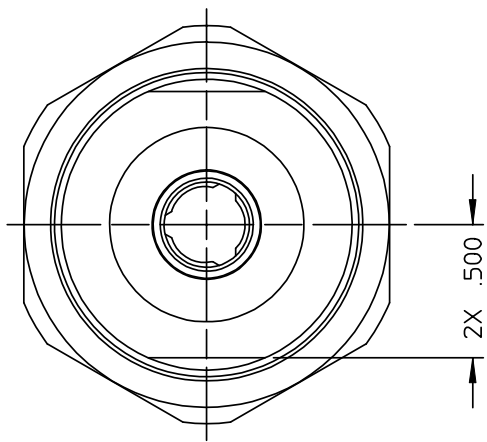


DATA SHEET



Alcoa Fastening Systems

Commercial Products
1 Corporate Drive, Kingston, NY 12401

NOSE TYPE: NON-SELF-RELEASING

FASTENER TYPE: -10 MG

TOOL(S): 246

Notes:

Product Revision: **F**

US Patent:

Date: 06/18/03

99-1439

Part Number