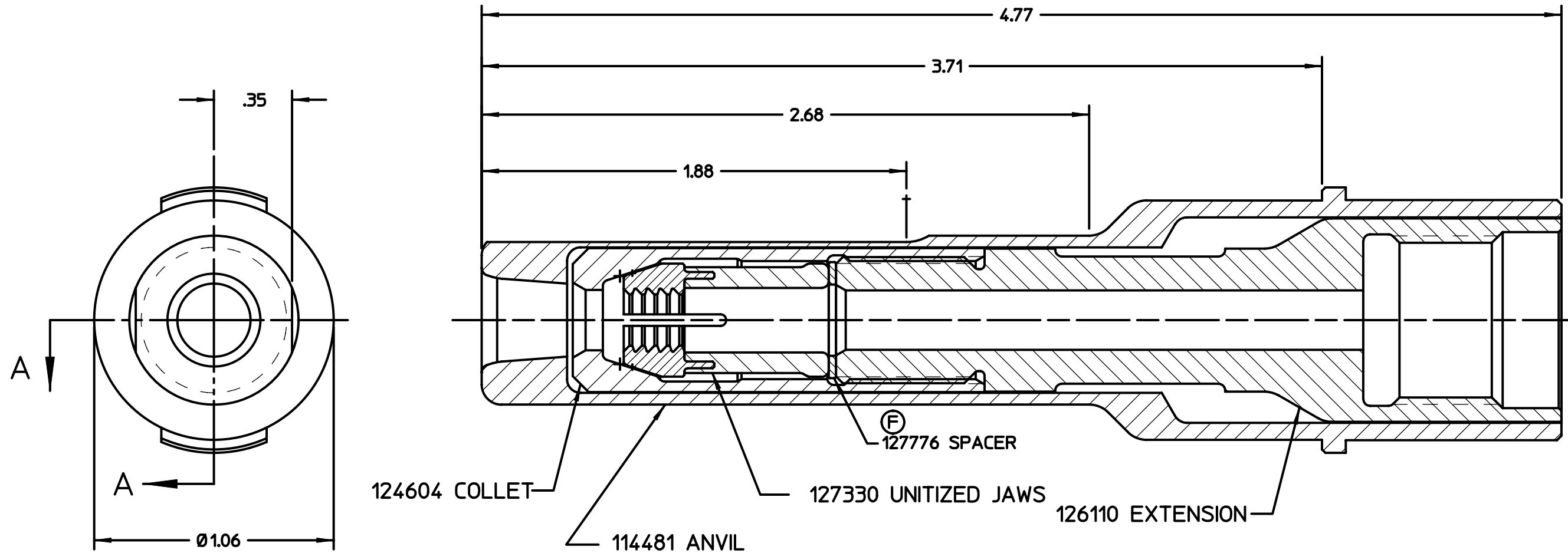


REV	DESCRIPTION	DATE
D	REDESIGN	04/25/00
E	127330 JAW WAS 126004 JAW PICTORALY UPDATED 124604 COLLET	09/03/03
F	ADDED 127776 SPACER	06/03/05

NOTES:

1. INCLUDE 590152 CAUTION TAG.



SECTION A-A

HUCK INTERNATIONAL, INC., I.S.D. 1 CORPORATE DRIVE, P.O. BOX 2270 KINGSTON, NEW YORK 12401			
NOSE ASSEMBLY -08 MG			
DET: CHR	CK:	DATE: 06/03/05	SCALE: 2:1
FAC.	B	99-1290	