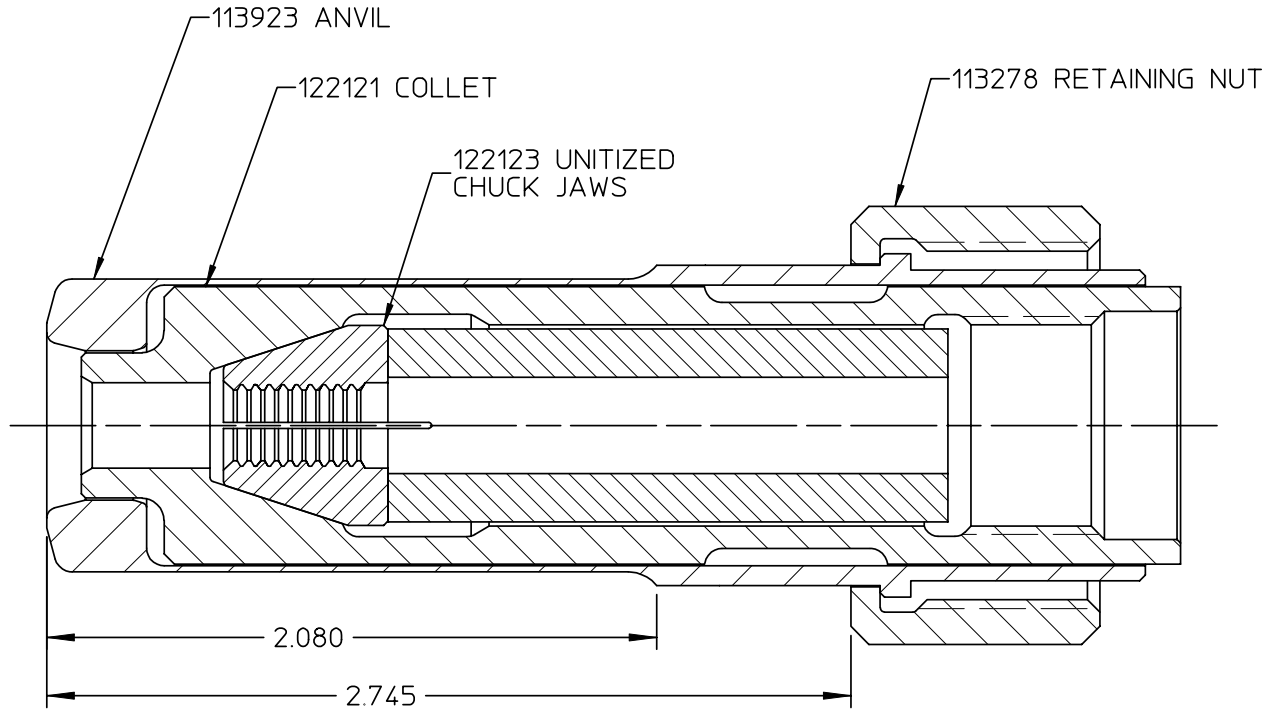
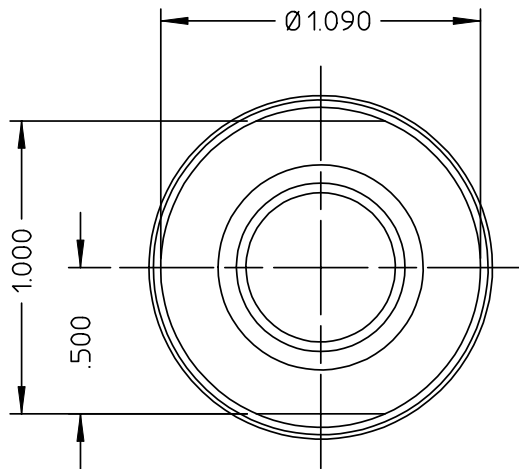


DATA SHEET



Alcoa Fastening Systems

Commercial Products
1 Corporate Drive, Kingston, NY 12401

NOSE TYPE: **NON-SELF-RELEASING**

FASTENER TYPE: **-12 BOM**

TOOL(S): **246**

Notes:

Product Revision: **D**

US Patent:

Date: **06/18/03**

NOTE:

1. THE FOLLOWING STEEL DFLECTORS ARE OPTIONALLY AVAILABLE:
FOR USE WITH 246 TOOL; USE 123634-246.
FOR USE WITH 2502/2503 TOOL USE 123634-2503.
FOR USE WITH 2580 TOOL USE 123634-2580.

99-1272

Part Number