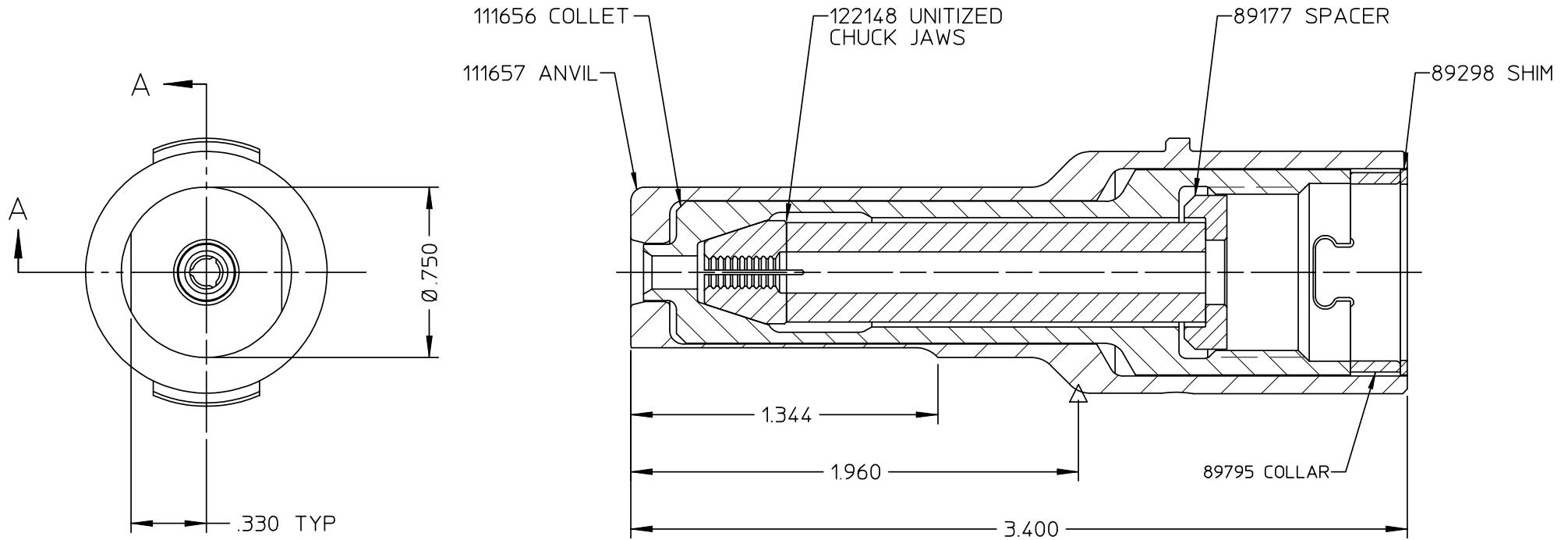


# DATA SHEET



SECTION A-A

**Alcoa Fastening Systems**

Commercial Products  
1 Corporate Drive, Kingston, NY 12401

NOSE TYPE: NON-SELF-RELEASING

FASTENER TYPE: -06 BOM

TOOL(S): 353

Notes:

Product Revision: **B**

US Patent:

Date: 06/16/03

NOTES:

1 SHIP WITH PINTAIL TUBE P/N 114431.

99-1053

Part Number