

## 2628

### Hydraulic Powered Installation Tool

#### Specifications

*Weight:*

8.6 kg (19 lbs.)

*Stroke:*

46 mm (1.81 in.)

*Operating Hydraulic Pressures:*

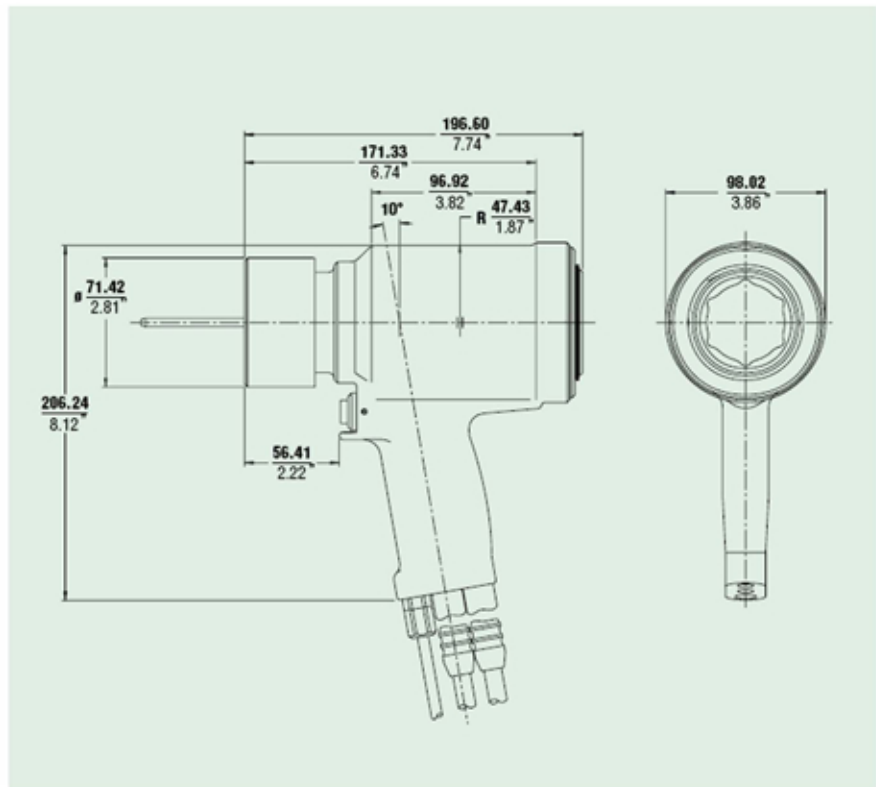
Pull-510.35 bar (7,400 psi)

Return-220.68 bar (3,200 psi)

*Capacity:*

177.30 kN @ 448.28 bar

(39858 lbs @ 6500 psi)



Nose assemblies are to be ordered separately

#### Compatible Fastener

Type	Diameter	Nose Assembly
BOM	15.9 mm (5/8")	99-5102
	19.1 mm (3/4")	99-5103
C50L	15.9 mm (5/8")	99-5008, 99-5009
	19.1 mm (3/4")	99-5010, 99-5013
MHP/HUCKFIT	14 mm	99-5408
MHP/HUCKFIT	16 mm	99-5300



The 2628 is sized for the high-speed installation of HUCK's larger fasteners. The tool features an in-line piston which extends seal life. The 2628 has only one moving part, which further minimizes maintenance.