

2624

Hydraulic Powered Installation Tool

Specifications

Weight:

6.35 kg (14 lbs.)

Stroke:

42.93 mm (1.69 in.)

Operating Hydraulic Pressures:

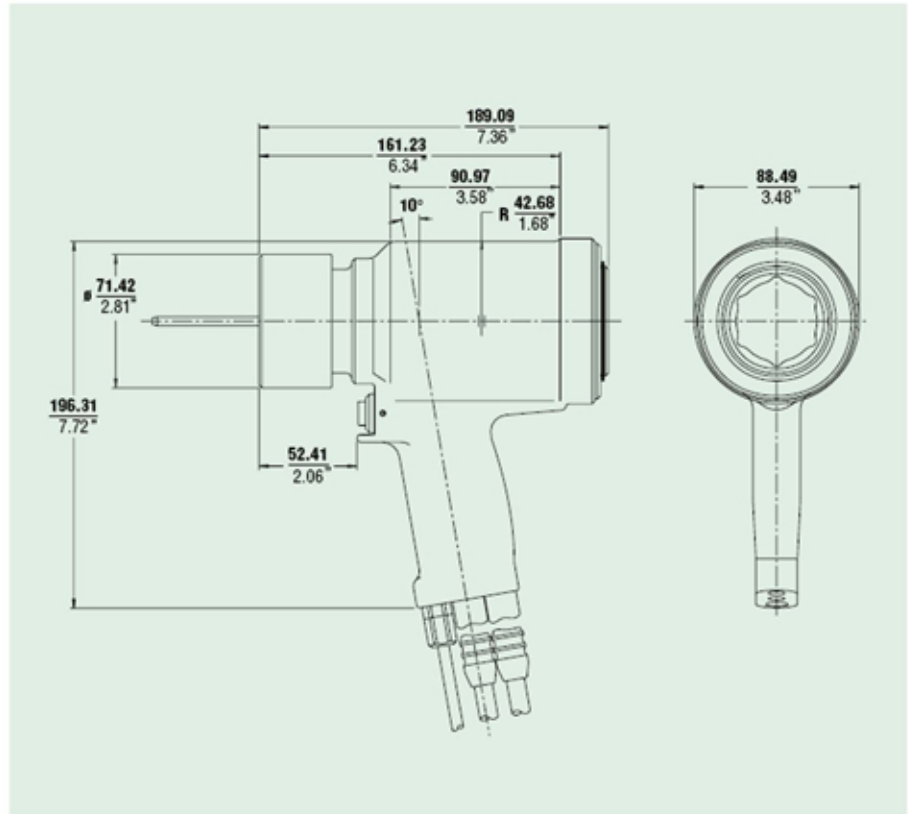
Pull-510 bar (7,400 psi)

Return-221 bar (3,200 psi)

Capacity:

135 kN @ 448 bar

(30356 lbs @ 6500 psi)



Nose assemblies are to be ordered separately

Compatible Fastener

Type	Diameter	Nose Assembly
BOM	15.9 mm (5/8")	99-5102
C50L	15.9 mm (5/8")	99-5008, 99-5009
MHP/HUCKFIT	14 mm	99-5408
MHP/HUCKFIT	16 mm	99-5300



The 2624 is sized for the high-speed installation of HUCK's larger fasteners. The tool features an in-line piston which extends seal life. The 2624 has only one moving part, which further minimizes maintenance.