

2620-PT Hydraulic Powered Installation Tool

Specifications

Weight:

4.48 kg (9.88 lbs.)

Stroke:

36.50 mm (1.437 in.)

Operating Hydraulic Pressures:

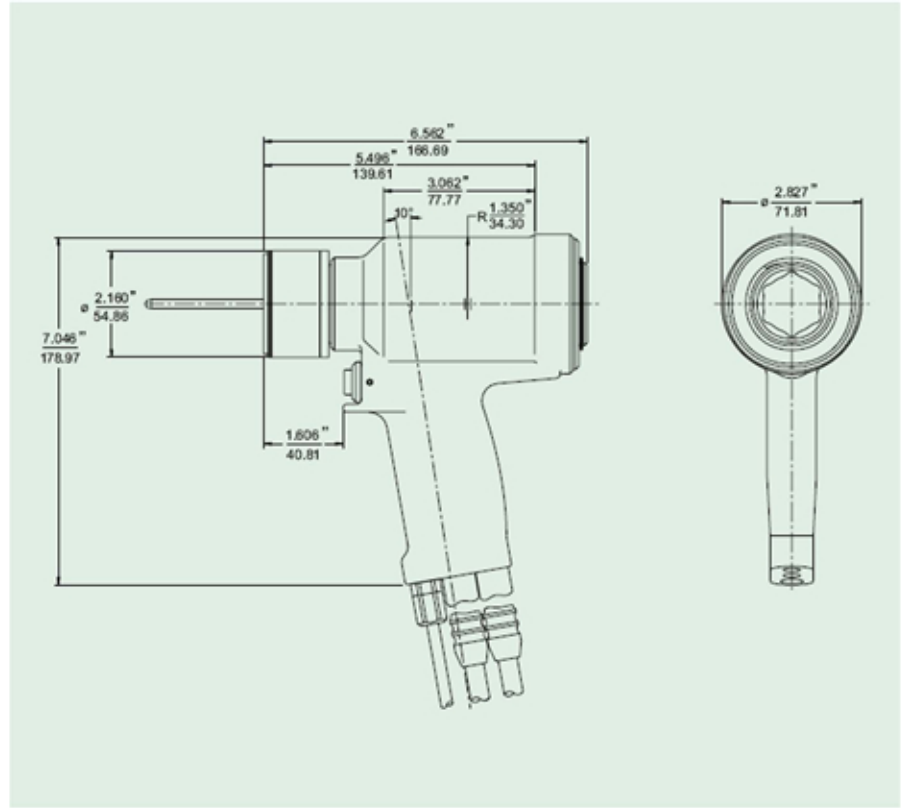
Pull-510 bar (7,400 psi)

Return-221 bar (3,200 psi)

Capacity:

78.93 kN @ 448 bar

(17745 lbs @ 6500 psi)



Nose assemblies are to be ordered separately

Compatible Fastener

Type	Diameter	Nose Assembly
BOM	12.7 mm (1/2")	99-5101
C50L	12.7 mm (1/2")	99-5002, 99-5005
MHP/HUCKFIT	12 mm	99-5406



The 2620-PT is sized for the high-speed installation of HUCK's larger fasteners. The tool features an in-line piston which extends seal life. The 2620-PT has only one moving part, which further minimizes maintenance.