

## 2025

### Pneudraulic Installation Tool

#### Specifications

*Weight:*

2.63 kg (5.75 lbs.)

*Required Air Pressure:*

6.21-7.58 bar (90-110 psi)

*Air Consumption:*

1.4 CFM (39.64 l/min) based on 30 cycles per minute

*Stroke:*

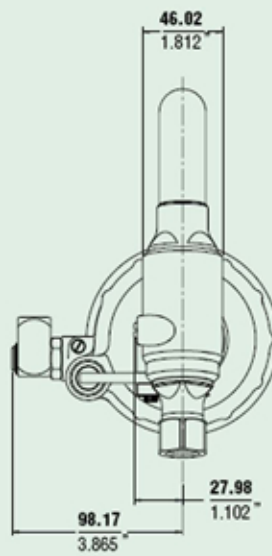
17 mm (0.675 in.)

*Hydraulic Fluid:*

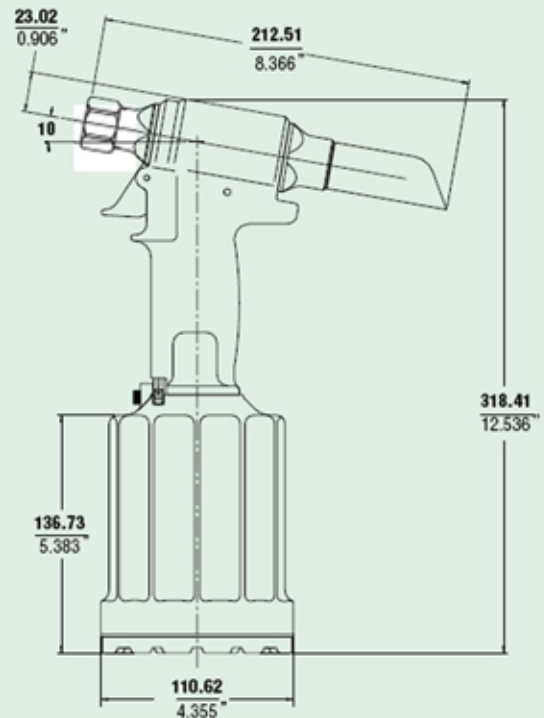
Automatic Transmission Fluid DEXTRON II® or equivalent

*Capacity:*

23.53 kN @ 6.21 bar (5290 lbs @ 90 psi)



Top View



Nose assemblies are to be ordered separately

#### Compatible Fastener

Type	Diameter	Nose Assembly
MAGNA-LOK	4.8 mm (3/16")	99-3300, <b>99-3303, 99-3303L</b> , 99-3304
	6.4 mm (1/4")	99-3301, <b>99-3305, 99-3305L</b> , 99-3306, 99-3478 (H'Duty)
MAGNA-BULB	4.8 mm (3/16")	99-3300, <b>99-3303, 99-3303L</b> , 99-3304
	6.4 mm (1/4")	99-3301, <b>99-3305, 99-3305L</b> , 99-3306, 99-3478 (H'Duty)
AUTO-BULB	4.8 mm (3/16")	99-3300, <b>99-3303, 99-3303L</b> , 99-3304
	6.4 mm (1/4")	99-3301, <b>99-3305, 99-3305L</b> , 99-3306, 99-3478 (H'Duty)
MAGNA-TITE	4.8 mm (3/16")*	99-3310F, 99-311F
	4.8 mm (3/16")**	99-3310P, 99-3311P
	6.4 mm (1/4")*	99-3312F, 99-3313F
	6.4 mm (1/4")**	99-3312P, 99-3313P
C6L	4.8 mm (3/16")	<b>99-3003, 99-3003L</b> , 99-3004
	6.4 mm (1/4")	<b>99-3006, 99-3006L</b> , 99-3007
MAGNA-GRIP	4.8 mm (3/16")	99-3200, <b>99-1456, 99-1456L</b> , 99-3202
	6.4 mm (1/4") St.	99-3203, <b>99-1458, 99-1458L</b> , 99-3205
	6.4 mm (1/4") Al.	99-3212CC
HUCKTAINER	9.5 mm (3/8")	<b>99-3464, 99-3464L</b>

\* S & LP Head Styles, \*\* V & P Head Styles  
St. = Steel, Al. = Aluminium



The 2025 offers a number of outstanding features, including an ergonomically designed handle, plated piston rods and efficient in-line piston.

An extended piston version (2025L) and vacuum assist pintail collection system version (2025V) are available.